

DRYING CABINET

DC
RANGE

DC 4

UP TO 6KG
UP TO 13LB



FEATURES

- New attractive design
- New dimensions (more compact)
- New control (6 automatic programs and time drying)
- Increased capacity up to 6kg
- Increased heat power
- Better airflow allowing shorter drying times
- Flexible construction allows hanging bars to slide easily forward for easy access to garments or down for more space.
- Easy to install; the evacuating channel is connected to the ventilation system and the humid air is transported out of the room.
- All electrical components are placed on the top which makes it easy to maintain.
- Pull-out hanging system
- 3 temperatures: HIGH, LOW, ECO+
- Energy efficient
- Overheat protection
- IP 24 classification
- CE approved

MARKETS

Day care center, Schools, Road workers
Dressing rooms, Ships, Airports, Ski resorts,
Campings, Security

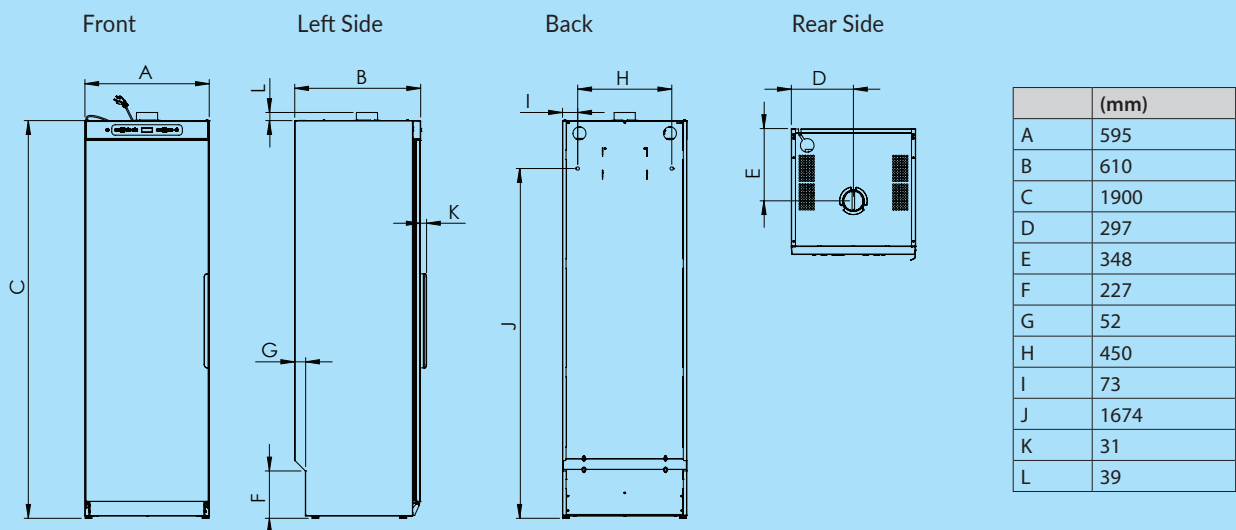
MAIN SPECIFICATIONS

		DC4
Loading capacity	kg/lbs	Up to 6kg/13 lbs
Drying capacity	g/min*	25
Hanging length	m/feet	16/52,5
Drying time, HIGH temp (max 70°)	min	85
Drying time, ECO+ (no heat)	min	600
Heating effect	kW	2
Total effect	kW	2,038
Energy consumption HIGH temp /kg	kWh	0,64
Energy consumption ECO+ (no heat)	kWh	0,1

*Valid for textile spun at high speed

TECHNICAL SPECIFICATIONS

		DC4
ELECTRICAL CONNECTIONS		
Electrical connection		1N, 230V 50-60Hz
Fuse	A	10
Total effect	kW	2,038
Heating elements	kW	2,0
AIR CONNECTIONS		
Outlet exhaust	Ø mm/inch	100/3,94
Outlet air flow	m ³ /h	95
Pressure drop	max Pa	N/A
Dewatering capacity	g/min	25*
SOUND LEVEL		
Airborne sound level	dB(A)	55
SHIPPING DATA		
Net	kg/lbs	N/A
Crate	kg/lbs	N/A
Shipping data net	kg/lbs	N/A
Shipping volume	m ³	N/A
DIMENSIONS		
Width	mm/inch	595/23,4
Depth	mm/inch	610/24
Height	mm/inch	1900/74,8
Weight	kg/lb	61/134,5



The Primus preserves the right to change the machines and the specification in this leaflet at any time, without prior notice. Details and photographs are only for information and never binding.

www.primuslaundry.com

Primus by Alliance Laundry Systems

