



HIGH-EFFICIENT SOFTMOUNT WASHER-EXTRACTORS

IY180
18KG

IY240
24KG

IY280
28KG

FEATURES

- Freestanding, high spin
- Stainless steel top and front panel, black side panels
- Stainless steel drum and tub
- Aries - easy to use microprocessor
- Patented soap hopper
- High capacity water inlets (IY280)
- Large drain valve (Ø 76 mm)
- Easy access to all vital parts from the front
- Large door opening for easy loading & unloading
- Cascade drum
 - Despite the 400 G, the linen does not stick to the drum, which simplifies unloading
 - More perforations over the same surface which leads to more efficient water extraction
 - The design of the bulges causes even more water to be extracted- so the percentage of humidity after extraction is extremely low
 - The Cascade shape of the drum holes provides extra mechanical action which leads to better washing results.



OPTIONS

- Aries Elite - Fully programmable
- Coin operated
- USB plug and RS485 plug
- Liquid soap connection
- Liquid soap pumps
- Water recovery kit
- Steam heating version
- 3rd water inlet
- High capacity water inlets (IY180, IY240)



SmartWAVE automatically determines the absorption ability of the load at the start of the cycle, resulting in optimized water levels throughout the cycle.



ERGONOMICAL
CONSTRUCTION



LARGE DOOR
OPENING



LOW WATER
CONSUMPTION



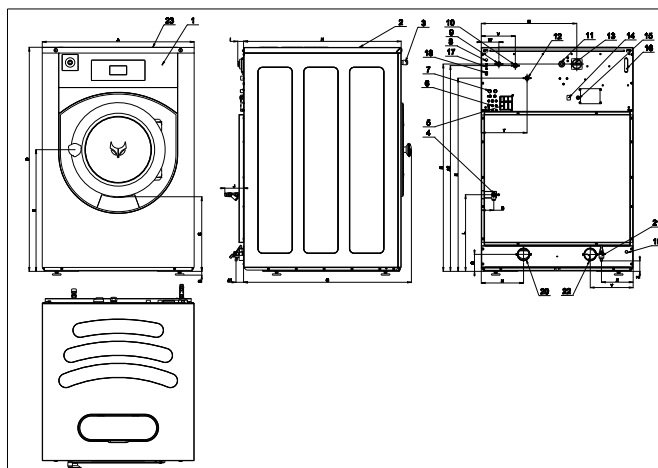
LOW ENERGY
CONSUMPTION

YOUR SMART LAUNDRY PARTNER

	IY180	IY240	IY280
INNERDRUM			
CAPACITY 10:1 (KG)	18	24	28
CAPACITY 9:1 (KG)	20	27	31
VOLUME (L)	180	240	280
DIAMETER (MM)	750	750	750
DRUM SPEED			
WASH (RPM)	42	42	42
EXTRACTION (RPM)	980	980	915
G-FACTOR	400	400	350
MOTOR			
MOTOR POWER (KW)	2,20	3	3
HEATING			
ELECTRICITY (KW)	12	18	22
STEAM (BAR)	1 - 8	1 - 8	1 - 8
HOT WATER (°C)	90	90	90
SOUND PRESSURE LEVEL (DB) (A)	< 65	< 65	< 65
WATER VALVES CONNECTION (BSP)	3/4"	3/4"	3/4"
WATER PRESSURE (KPA)	100-800	100-800	100-800
REC. WATER PRESSURE (KPA)	300-500	300-500	300-500
WATER INLET (L/MIN)	20	20	20-50
DRAIN VALVE OUTER (MM)	Ø 76	Ø 76	Ø 76
FLOW AMOUNT WITH DRAIN VALVE (L/MIN)	210	210	210
STEAM VALVE CONNECTION (BSP)	1/2"	1/2"	1/2"
STEAM PRESSURE (KPA)	100-800	100-800	100-800
TRANSPORT DATA			
GROSS WEIGHT (KG)	395	450	515
NET WEIGHT (KG)	380	430	495
PACKING DIMENSIONS H x W x D (MM)	1570 x 1025 x 1015	1570 x 1025 x 1150	1570 x 1025 x 1225

	A	B	C	D	E	F	G	H	I	J	K	L	M	N	O	P	Q
IY180	970	24	477	1430	777	335	960	872	48	90	1234	490	108,5	270	203	N/A	67
IY240	970	24	477	1430	777	335	1095	1007	48	90	1234	490	108,5	270	203	N/A	67
IY280	970	24	477	1430	777	335	1175	1087	48	90	1234	490	108,5	270	203	N/A	67
	width			height			depth										

	R	S	T	U	V	W
IY180	1324	80	293	610	218	113
IY240	1324	80	293	610	218	113
IY280	1324	80	293	610	218	113



1. Control panel
2. Soap dispenser
3. Central stop button
4. Steam connection
5. Air relieve
6. Liquid soap connection
7. Recycled water inlet
8. Recycled water valve cable inlet
9. Cold water inlet, soft
10. Cold water inlet, hard
11. Electrical connection
12. Hot water inlet
13. Main switch/Field wiring terminal (NA models)
14. Heating change-over switch
15. Liquid soap pump electrical connection
16. Fuses
17. USB port - optional
18. PC programming connection
19. Discharge water cable inlet
20. Drain valve - 3 in. [76 mm]
21. Drain Valve - 1/2", applicable for wash bath sample (on request only)
22. Drain valve or recycle valve - 3 in. [76 mm] 280 L Models only
23. Hidden USB port (under top cover) - standard