



HIGH-EFFICIENT SOFTMOUNT WASHER-EXTRACTORS

IY65

6,5 KG

IY80

7,5 KG

IY105

10,5 KG

IY135

13,5 KG

FEATURES

- Freestanding, high spin (up to 1165 rpm - IY65, IY80)
- Stainless steel top and front panel, black side panels
- Stainless steel drum and tub
- Aries - easy to use microprocessor
- Patented soap hopper
- Large drain valve (Ø 76 mm)
- Easy access to all vital parts from the front
- Large door opening for easy loading & unloading
- 400G extraction speed

OPTIONS

- Aries Elite - Fully programmable
- Coin operated
- USB + RS485 plug
- Liquid soap connection
- Liquid soap pumps
- Water recovery kit
- Steam heating version
- Drain pump (IY65, IY80)
- 3rd water inlet
- Special textured drum



ERGONOMICAL
CONSTRUCTION



LARGE DOOR
OPENING



LOW WATER
CONSUMPTION



LOW ENERGY
CONSUMPTION

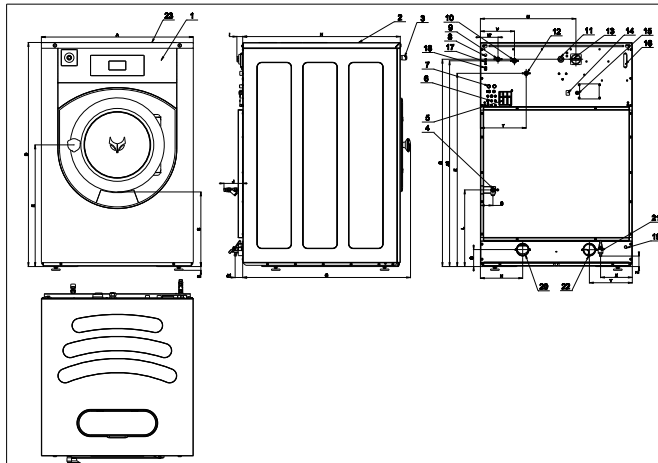
YOUR SMART LAUNDRY PARTNER

	IY65	IY80	IY105	IY135
INNERDRUM				
CAPACITY 10:1 (KG)	6,5	7,5	10,5	13,5
CAPACITY 9:1 (KG)	7	9	12	15
VOLUME (L)	65	75	105	135
DIAMETER (MM)	530	530	620	620
DRUM SPEED				
WASH (RPM)	49	49	49	49
EXTRACTION (RPM)	1165	1165	1075	1075
G-FACTOR	400	400	400	400
HEATING				
ELECTRICITY (KW)	6	6	9	12
STEAM (BAR)	1 - 8	1 - 8	1-8	1 - 8
HOT WATER (°C)	90	90	90	90
SOUND PRESSURE LEVEL (DB) (A)	< 65	< 65	< 65	< 65
WATER VALVES CONNECTION (BSP)	3/4"	3/4"	3/4"	3/4"
WATER PRESSURE (KPA)	100-800	100-800	100-800	100-800
REC. WATER PRESSURE (KPA)	300-500	300-500	300-500	300-500
WATER INLET (L/MIN)	20	20	20	20
DRAIN VALVE OUTER (MM)	Ø 76	Ø 76	Ø 76	Ø 76
FLOW AMOUNT WITH DRAIN VALVE (L/MIN)	210	210	210	210
STEAM VALVE CONNECTION (BSP)	1/2"	1/2"	1/2"	1/2"
STEAM PRESSURE (KPA)	100-800	100-800	100-800	100-800
TRANSPORT DATA				
GROSS WEIGHT (KG)	180	200	235	275
NET WEIGHT (KG)	170	185	210	255
PACKING DIMENSIONS H x W x D (MM)	1265 x 750 x 840	1365 x 835 x 840	1365 x 835 x 840	1365 x 835 x 985

	A	B	C	D	E	F	G	H	I	J	K	L	M	N	O
IY65	710	740	1135	676	349	230	82	914	1004	113	218	293	390	1020	24
IY80	710	790	1135	726	349	230	88	920	1010	113	218	293	390	1020	24
IY105	795	795	1245	761	342	230	88	1030	1120	103	208	293	475	1130	24
IY135	795	945	1245	911	342	230	88	1030	1120	103	208	293	475	1130	24
	width	depth	height												

	IY80
Water consumption	6,6 L/KG
Electricity consumption	0,18 kW/kg

*Program nr 13



1. Control panel
2. Soap dispenser
3. Centralstop button
4. Steam connection
5. Air relieve
6. Liquid soap connection
7. Recycled water inlet
8. Recycled water valve cable inlet
9. Cold water inlet, soft
10. Cold water inlet, hard
11. Electrical connection
12. Hot water inlet
13. Main switch/Field wiring terminal (NA models)
14. Heating change-over switch
15. Liquid soap pump electrical connection
16. Fuses
17. USB port - optional
18. PC programming connection
19. Discharge water cable inlet
20. Drain valve - 3 in. [76 mm]
21. Drain Valve - 1/2", applicable for wash bath sample (on request only)
22. Drain valve or recycle valve - 3 in. [76 mm] 280 L Models only
23. Hidden USB port (under top cover) - standard