

INDUSTRIAL CYLINDER HEATED DRYING IRONER WITH INTEGRATED FEEDING AND LENGTH FOLDING

I
RANGE

IFF 50

500MM



ERGONOMIC
CONSTRUCTION



GLOBAL
IRONING
SOLUTION



ONE
OPERATOR
ONLY



CROSSFOLDER



STACKER



FEATURES

- Large surface contact with linen over an angle of 3000
- Finger protection and emergency button for more safety
- Durable Meta Aramid ironing belts
- Automatic cool down
- Easy to operate microprocessor: 20 pre-set ironing programmes
- Indication of ironing speed and temperature
- Reverse mode possible
- Variable setups for folding
- Built-in feeding and length folding system
- Frequency controlled motor
- Easy to remove lint filters
- Standard anti-static bar

- Easyfold® system requires less maintenance (no ribbons and rolls)
- Electric, gas or steam heating

OPTIONS

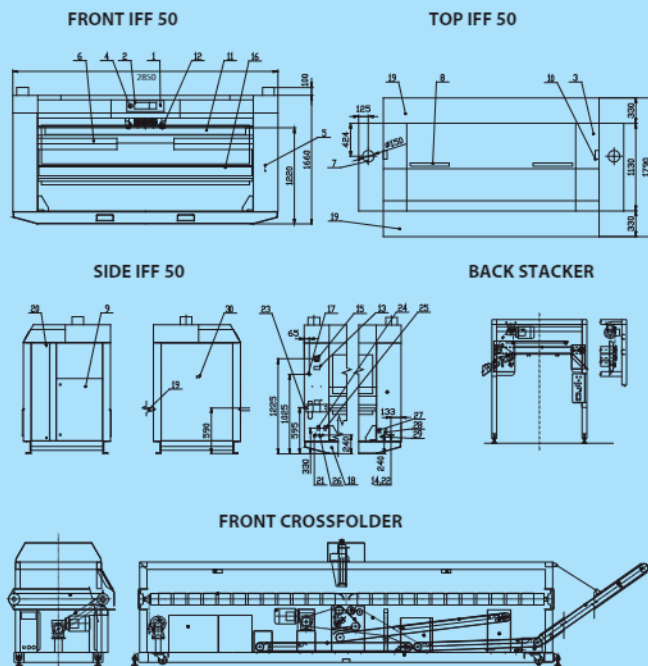
- Crossfolder and stacker
- Chrome-plated cylinder for a better thermal conduction

TYPE		IFF50-200	IFF50-250	IFF50-320
ROLLER DIAMETER	mm	500	500	500
USEFUL ROLLER LENGTH	mm	2000	2600	3200
HEATING				
Electric heating	kW	38	72	-
Gas heating	kW	36	52	66
Steam heating	kg/h	49	68	88
MOTORS				
Roller motor	kW	0,98	1,2	1,2
Fan motor	kW	0,18/0,255	2x0,18/0,255	2x0,18/0,255
IRONING CAPACITY*				
Electrical & Gas heating	kg/h	80	95	120
Steam heating	kg/h	95	115	145
RESIDUAL MOISTURE	%	40	40	40
ROLLER SPEED	m/min.	1,5-8	1,5-8	1,5-8
ELECTRIC CONNECTION 3x380-415V+N 50/60Hz, 3x208-240V 50/60Hz				
COMPRESSED AIR CONNECTION**	inch	exterior: 1/2 - interior: 1/4		
DIMENSIONS				
Ironer HxWxD unpacked	mm	1760x2850x1320	1760x3450x1320	1760x4050x1320
Crossfolder HxWxD unpacked	mm	-	1010x3500x870	1010x4100x870
Stacker HxWxD unpacked	mm	-	1300x2754x1220	1300x2754x1220
TRANSPORT DATA				
Ironer Net/gross weight	kg	1720/1990	2180/2460	2400/2770
Ironer HxWxD packed	mm	2090x2990x1450	2090x3590x1450	2090x4190x1450
Crossfolder net/gross	kg	-	515/760	560/810
Crossfolder HxWxD packed	mm	-	1390x3730x1050	1390x4330x1050
Stacker net/gross	kg	-	290/490	290/490
Stacker HxWxD packed	mm	-	1575x3050x1250	1575x3050x1250

* Tested in accordance of ISO 9398-1

** Compressor not included

The data concerning dimensions of machines include all extended parts



1. Feeder button
2. Control panel
3. Upper cover
4. Emergency stop
5. Handle of manual drive
6. Telescopic brushes
7. Exhaust ventilation
8. Filter
9. Electric distributor
10. Suspension eyes
11. Feeding belts
12. Feeder
13. Production label
14. Condense drain (version „S“)
15. Main switch
16. Front trough
17. Steam supply (version „S“)
18. External protective connector
19. Folding table
20. Side cover lock
21. Main power supply
22. Gas supply (version „G“)
23. Pressure air supply
24. Power supply connector for the cross folder
25. Connector for control cable for the cross folder
26. Pressure air connector for the cross folder
27. Power supply connection for the stacker
28. Control cable connection for the stacker
29. Pressure air connection for the stacker
30. Sight glass of burner (version „G“)